



VALUTAZIONE DI IMMAGINI MOBILI

QMOBILE EVO

PER LA VALUTAZIONE PORTATILE DELLE INDENTAZIONI DELLE PROVE DI DUREZZA BRINELL

Qmobile EVO is a mobile image evaluation unit for standard-compliant Brinell evaluation in accordance with DIN EN ISO 6506 and ASTM E-10. The user-friendly Qpix T2 software runs on an industrial tablet and enables testing directly in the field for fast data acquisition and quality control.

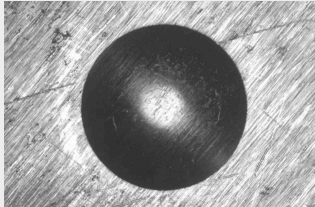
VANTAGGI PRODOTTO

- | La spedizione include la custodia
- | Tecnologia ultramoderna
- | QAI Image evaluation via built-in microscope and XLED Optic
- | Testa sostituibile per applicazioni personalizzate
- | Controlli innovativi QATM – Qpix T2
- | Tablet PC compatibile con il settore
- | Uscita dati tramite interfacce (USB 3.0)
- | Design ergonomico del sistema



VALUTAZIONE DI IMMAGINI MOBILI QMOBILE EVO

CARATTERISTICHE



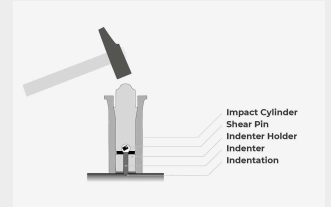
**EVALUATION WITH
BRINELL XLED
TECHNOLOGY**



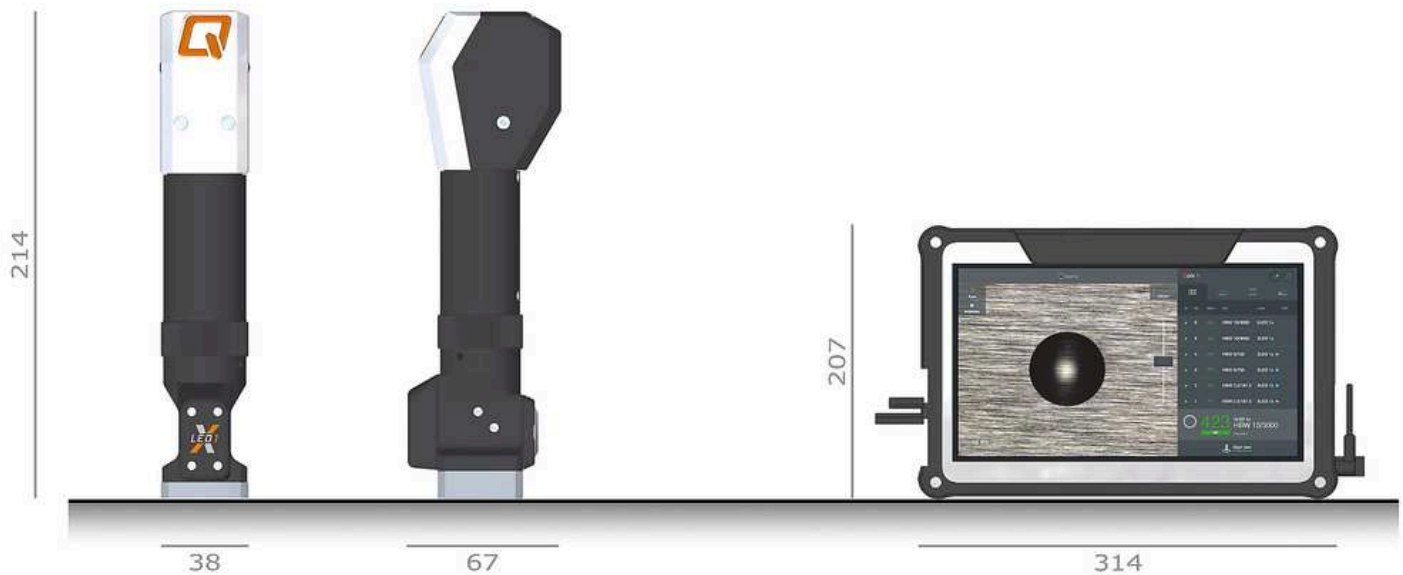
**REPLACEABLE
SUPPORT**



**INDIRECT
CALIBRATION USING A
HARDNESS TEST
BLOCK**



Integrated conversion
for measuring the
Brinell hardness of
shear pin hardness
tests, hammer blow
method (shear pin -
hardness testing)
Suitable for steel and
cast iron, conversion to
HB 30, HRC, kg/mm²



VALUTAZIONE DI IMMAGINI MOBILI QMOBILE EVO

DATI TECNICI

Valutazione della prova di durezza

Brinell: HBW 10/3000, HBW 5/750, HBW 2.5/187.5

Campo visivo

7.9 x 5.9 mm

Telecamera

5 Megapixel

Interfacce

1 x USB 3.0

Weight of Qmobile EVO

0.7 kg

Schermo tablet

11.6"

Opzioni

Operation via external PC

ARTICOLI

MOBILE IMAGE EVALUATION QMOBILE EVO

UNITÀ BASE

QB0080102	Qmobile EVO
QB0080103	Qmobile EVO - Qpix Control „M“

SISTEMA PC PER IL CONTROLLO DELLA MACCHINA

QA0103500	Tablet-PC system 11.6" - Qmobile Evo
QA0095300	PC system Full HD - Qpix Control2 „R“

MODULI SOFTWARE

QSO226500	Qpix2 - QAI hardness testing image analysis
QSO013600	Qpix - Modulo software per lo scanner di codici a barre / codici QR
QA0089600	Kit scanner 1D/2D per codici a barre/QR-Code - Bluetooth

QPIX CONNECT - CONNESSIONE DATI

QSO031600	Qpix Control2 - plug-in PCI
QSO013500	Qpix Control2 - Plug-in AMS
QSO030400	Qpix Control2 - Plugin Q-DAS

EX-WORKS QATM CALIBRATION ISO/IEC 17025

QH0001201A	Accredited QATM calibration - EN ISO / ASTM
QH0001201B	Accredited QATM calibration - ASTM
QH0001201Z	Accredited QATM calibration - EN ISO
QH2262301A	Calibration Test method HBW2.5/187.5 - EN ISO/ASTM
QH2352301A	Calibration Test method HBW 5/250 - EN ISO/ASTM
QH2362301A	Calibration Test method HBW 5/750 - EN ISO/ASTM
QH2452301A	Calibration Test method HBW 10/1000 - EN ISO/ASTM
QH2472301A	Calibration Test method HBW 10/3000 - EN ISO/ASTM
QSE0142	Manufacture Factory Verification report - Brinell

QVV0030	Documentazione
QVV0001	Certificato di lavoro