

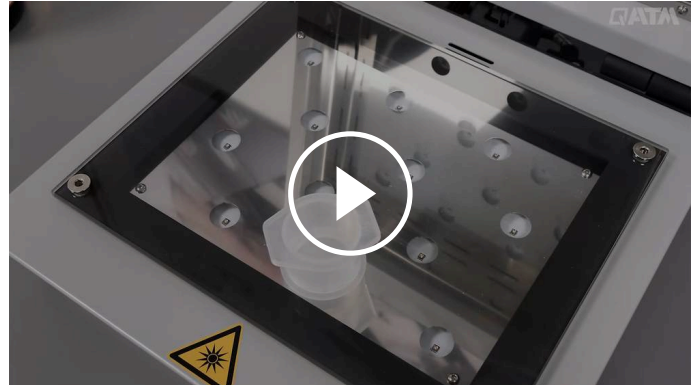


UV MOUNTING DEVICE

QMOUNT

The Qmount is a modern device for the light-curing-based mounting of materialographic samples.

The samples are placed in the device which is equipped with customized, powerful LED technology. The UV transparent mounting moulds are filled with the UV curing resin. The transparent sample can be removed within a very short time frame. A suction unit from the QATM portfolio can be connected to the device to increase work safety.



[Click to view video](#)

PRODUCT ADVANTAGES

- | UV mounting in the shortest possible time (60 seconds)
- | Highly efficient, long-life LED technology
- | Robust machine design
- | Easy handling
- | Connectable suction unit (optional)

MOUNTING IN A SHORT TIME

The compact laboratory device is equipped with specially developed and durable LED boards, which irradiate the samples highly efficiently with UV radiation of a very narrowly tolerated wavelength range (emission maximum at $\lambda = 365 \text{ nm}$) and allow standard samples to cure within 60 seconds.



UV MOUNTING IN 60 SECONDS

THE FAST WAY TO TRANSPARENT MOUNTED SAMPLES



ROBUST TECHNOLOGY

The integrated ventilation guarantees low polymerisation temperatures of approx. 70 - 90 ° C. A robust design with a powder-coated aluminum housing and high-quality components enable high sample volumes. The hood is equipped with cushioned hinges to close it gently.



HIGH SAMPLE CAPACITY

The device contains a scratch-resistant glass plate (200 x 260 mm) which enables the simultaneous curing of up to 12 samples with a diameter of 40 mm. The work area is easy to clean due to the simple design.



EASIEST OPERATION

The process parameters are clearly shown on a color display and can be continuously adjusted using a rotary knob. The mounting process is started, paused or ended using the QATM start-stop button. An acoustic signal informs the user at the end of the process.



MULTI-TASK VERSATILITY

Due to the very short process times, the Qmount opens up the possibility of producing transparent, materialographic standard mountings of various materials very quickly and cost-effectively.



WORK SAFETY AND COMFORT

As standard, the device is equipped with a connection for external suction to filter the vapors and odors and to increase work safety. A suitable suction device with activated carbon filter is available in the QATM accessories.

UV MOUNTING DEVICE QMOUNT
SUPERIORITY IN DETAIL

1. Robust housing

- | Sturdy powder-coated aluminum construction
- | Easy to clean
- | Integrated ventilation

2. Large scratch-resistant glass plate

- | Allows up to 12 samples simultaneously
- | Dimensions: 200 mm x 260 mm]

3. Highly efficient UV LED technology

- | Very short curing times of only one minute

4. Practical flip-top closure

- | Simple and intuitive operation



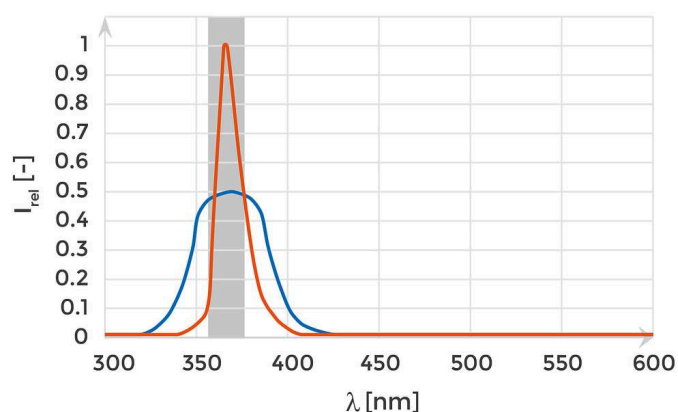
QMOUNT

HIGHLY EFFICIENT UV LED TECHNOLOGY

To minimize loss of electric power the Qmount is equipped with specialized UV LEDs. These show a very slim emission spectrum, which maximum superimposes with the absorption maximum of the KEM 50 UV initiator. This enables shorter curing times with a low electric consumption.

UV initiators get the necessary activation energy for the initiation reaction by absorbing UV radiation. Every molecule has a specific absorption spectrum, which shows certain wavelength areas in which the absorption coefficient of the molecule is particularly large. Outside of the so called absorption maxima a large portion of the emitted radiation is lost. Standard UV LEDs usually emit a significant amount of radiation besides the wavelength intervals in which the initiator has a good absorption. This radiation is converted to heat.

INFLUENCE OF THE LED TYPE ON LIGHT CURING PROCESSES



- | Orange curve: Qmount LEDs
- | Blue curve: Standard near UV LEDs
- | Grey area: Absorption maximum of UV initiator

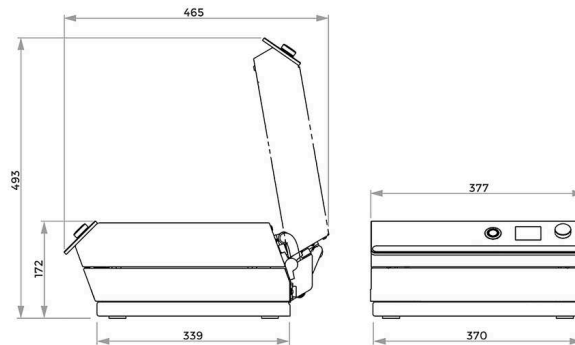
CONSUMABLES

For a perfect mounting process, QATM offers the appropriate UV curing resin, UV transparent mounting moulds in different diameters and mounting aids.



UV MOUNTING DEVICE QMOUNT

TECHNICAL DATA



Max. sample support surface	200 x 260 mm
Max. sample height	40 mm
Wavelength	365 nm
Adjustable curing time	0 - 100 min
Polymerization temperature (depending on application)	70- 90 °C
Connection voltage	100 - 240 V 50/60 Hz (1Ph/N/PE)
Dimensions (WxHxD)	377 x 172 x 436 mm
Weight (depending on equipment)	14,5 kg
Technical Data Suction unit	
Power connection	100 - 240 V 50/60 Hz
Effective air volume flow	20 - 100 m ³ /h

www.qatm.com/qmount

ORDER DATA

BASIC EQUIPMENT

MACHINE (ALL ITEMS REQUIRED)

M0761000



Qmount base machine 100-240V 50/60Hz

OPTIONS (TO BE ORDERED WITH MACHINE)

Z0761001

Qmount starter set

OPTIONS (CAN BE ORDERED SEPARATELY)

Z0761000

Qmount suction unit 100-240V 50/60Hz

CONSUMABLES

95016844

Qmount replacement activated carbon filter

95016840



Qprep UV 50 mounting material