



MOBILE IMAGE EVALUATION
QMOBILE EVO

FOR PORTABLE EVALUATION OF BRINELL HARDNESS TESTING INDENTATIONS

Qmobile EVO is a mobile image evaluation unit for standard-compliant Brinell evaluation in accordance with DIN EN ISO 6506 and ASTM E-10. The user-friendly Qpix T2 software runs on an industrial tablet and enables testing directly in the field for fast data acquisition and quality control.

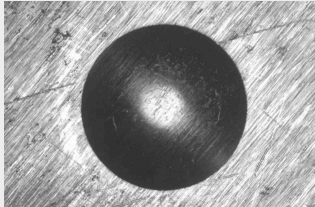
PRODUCT ADVANTAGES

- | Consignment includes case
- | State-of-the-art technology
- | QAI Image evaluation via built-in microscope and XLED Optic
- | Replaceable head for customer-determined applications
- | Innovative Qpix T2 Software
- | Industry compatible tablet PC
- | Data output via interfaces (USB 3.0)
- | Ergonomic system design



MOBILE IMAGE EVALUATION QMOBILE EVO

FEATURES



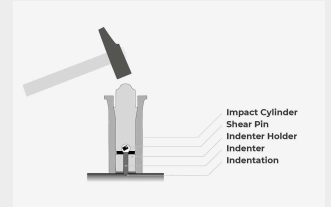
**EVALUATION WITH
BRINELL XLED
TECHNOLOGY**



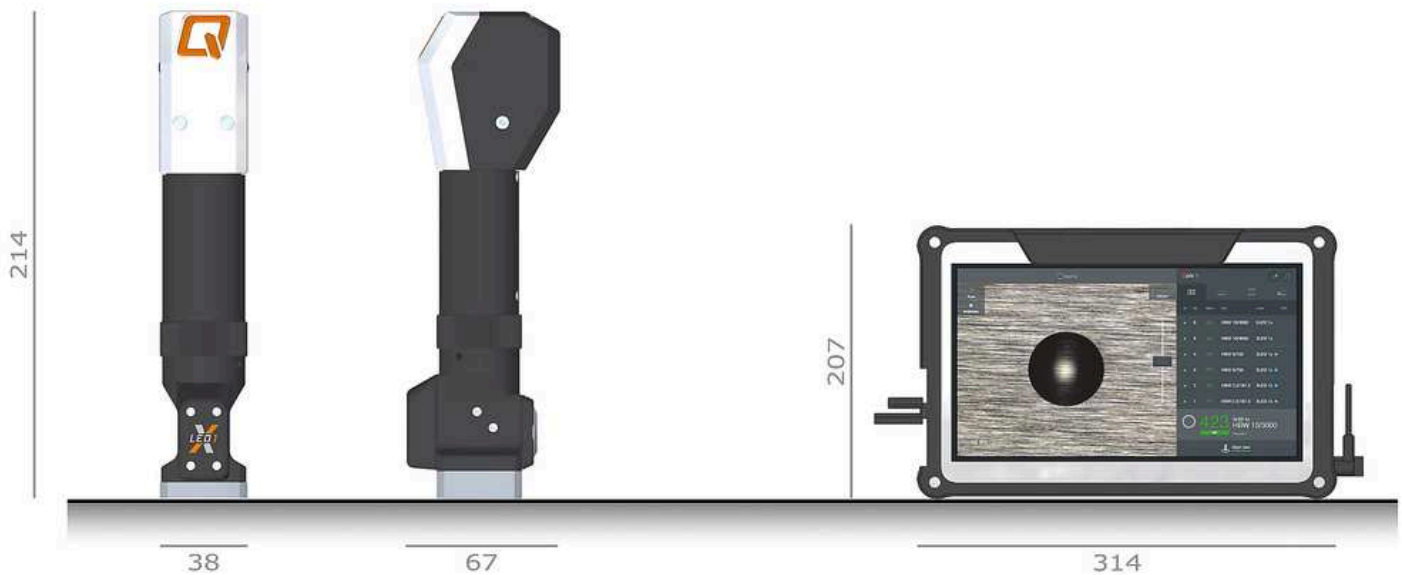
**REPLACEABLE
SUPPORT**



**INDIRECT
CALIBRATION USING A
HARDNESS TEST
BLOCK**



Integrated conversion for measuring the Brinell hardness of shear pin hardness tests, hammer blow method (shear pin - hardness testing)
Suitable for steel and cast iron, conversion to HB 30, HRC, kg/mm²



MOBILE IMAGE EVALUATION QMOBILE EVO

TECHNICAL DATA

Hardness test evaluation	Brinell: HBW 10/3000, HBW 5/750, HBW 2.5/187.5
Field of view	7.9 x 5.9 mm
Camera	5 Megapixel
Interfaces	1 x USB 3.0
Weight of Qmobile EVO	0.7 kg
Tablet screen	11.6"
Options	Operation via external PC

ORDER DATA

MOBILE IMAGE EVALUATION QMOBILE EVO

BASIS MACHINE

QB0080102	Qmobile EVO
QB0080103	Qmobile EVO - Qpix Control „M“

PC SYSTEM FOR MACHINE CONTROL

QA0103500	Tablet-PC system 11.6" - Qmobile Evo
QA0095300	PC system Full HD - Qpix Control2 „R“

SOFTWARE MODULES

QSO226500	Qpix2 - QAI hardness testing image analysis
QSO013600	Qpix - Barcode / QR code scanner software module
QA0089600	Barcode/QR-Code 1D/2D Scanner Kit - Bluetooth

QPIX CONNECT - DATA CONNECTION

QSO031600	Qpix Control2 - PCI plug-in
QSO013500	Qpix Control2 - AMS plug-in
QSO030400	Qpix Control2 - Q-DAS plug-in

EX-WORKS QATM CALIBRATION ISO/IEC 17025

QH0001201A	Accredited QATM calibration - EN ISO / ASTM
QH0001201B	Accredited QATM calibration - ASTM
QH0001201Z	Accredited QATM calibration - EN ISO
QH2262301A	Calibration Test method HBW2.5/187.5 - EN ISO/ASTM
QH2352301A	Calibration Test method HBW 5/250 - EN ISO/ASTM
QH2362301A	Calibration Test method HBW 5/750 - EN ISO/ASTM
QH2452301A	Calibration Test method HBW 10/1000 - EN ISO/ASTM
QH2472301A	Calibration Test method HBW 10/3000 - EN ISO/ASTM
QSE0142	Manufacture Factory Verification report - Brinell

QVV0030 Documentation

QVV0001 Work certificate